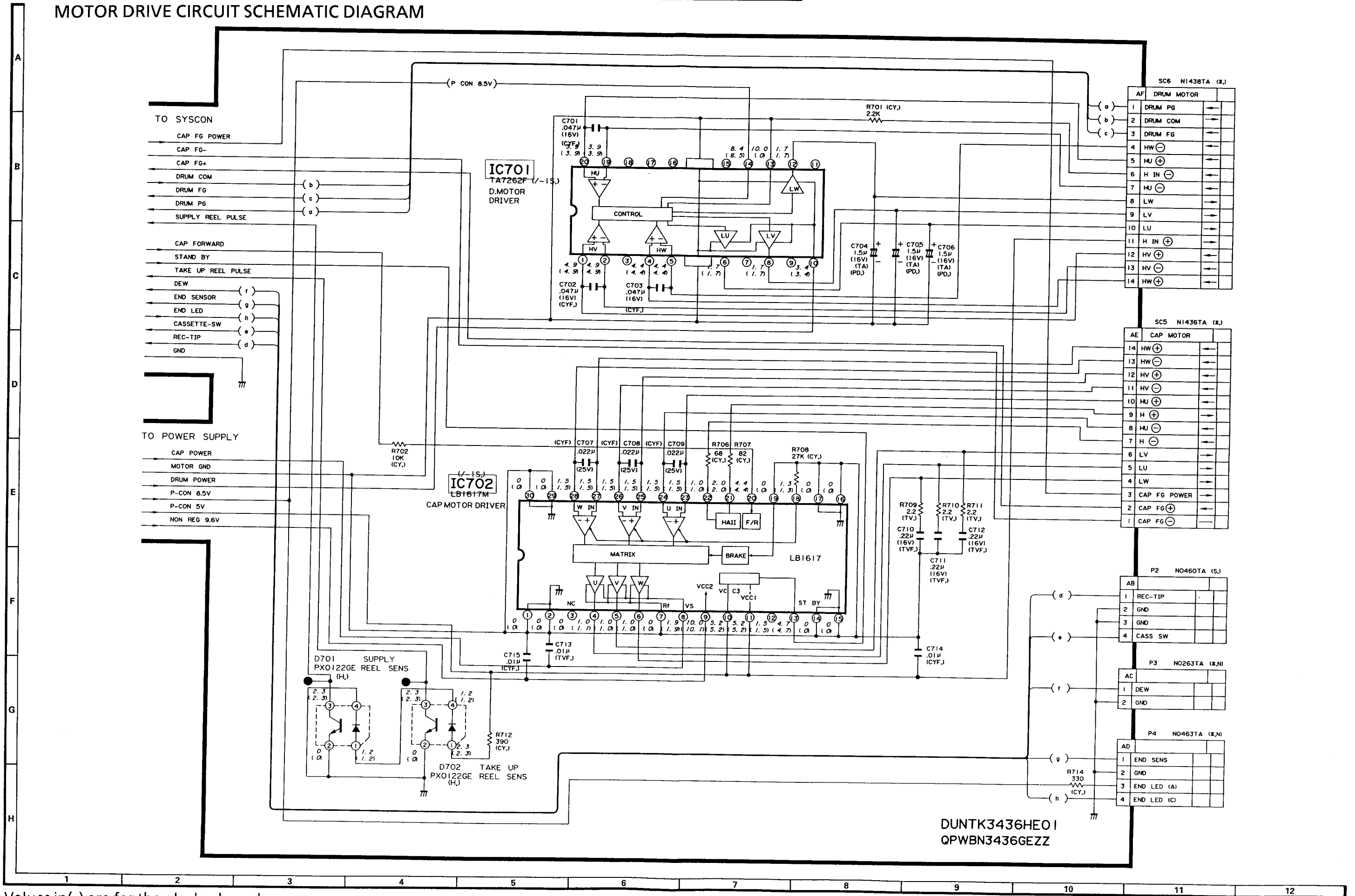


MOTOR DRIVE CIRCUIT SCHEMATIC DIAGRAM



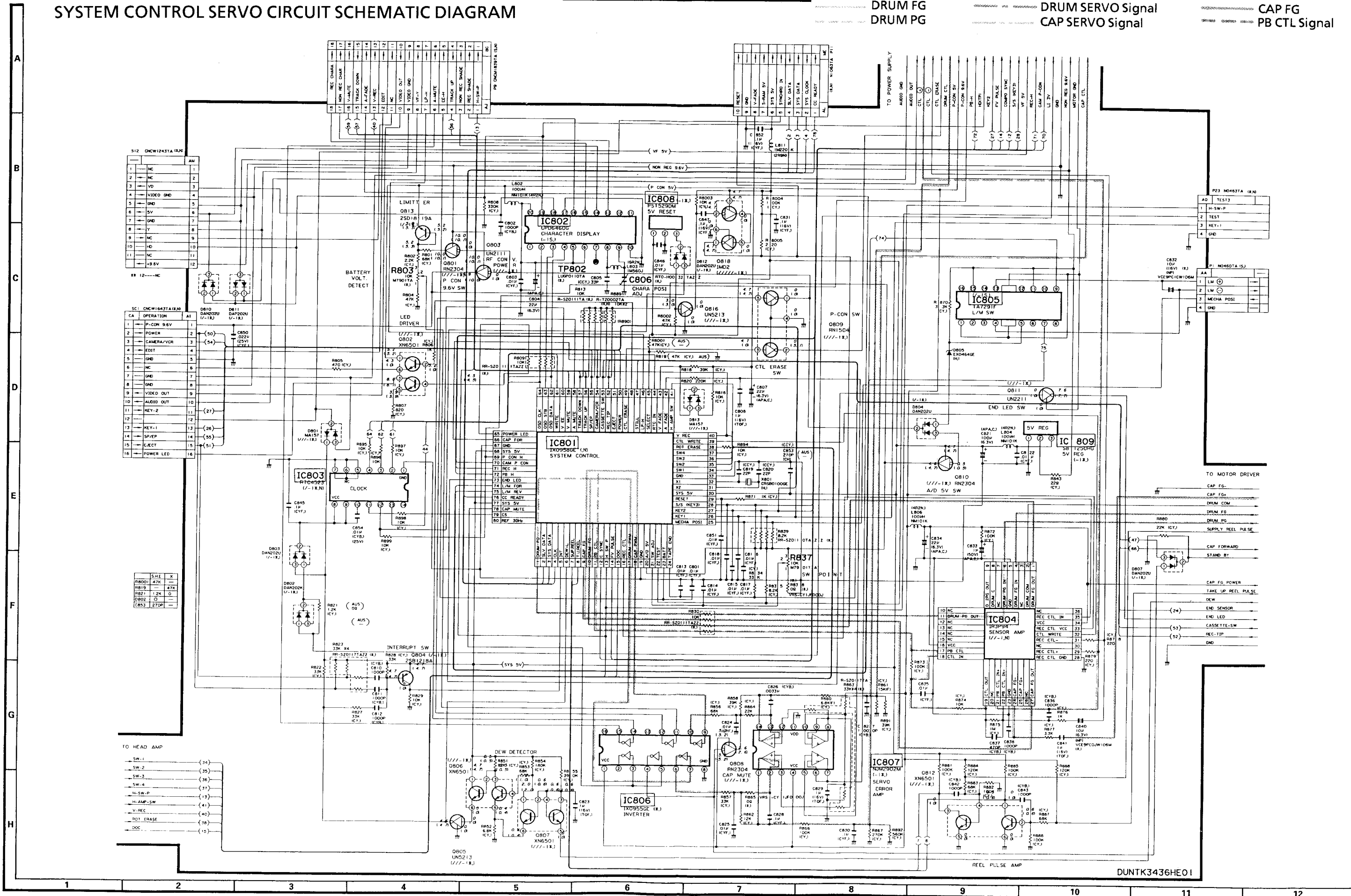
Values in () are for the playback mode

SYSTEM CONTROL SERVO CIRCUIT SCHEMATIC DIAGRAM

DRUM FG
DRUM PG

DRUM SERVO Signal
CAP SERVO Signal

CAP FG
PB CTL Signal



312 ONCW12431A 18X

1	NC	1
2	NC	2
3	VO	3
4	VIDEO GND	4
5	5V	5
6	GND	6
7	GND	7
8	NC	8
9	NC	9
10	NC	10
11	NC	11
12	NC	12

11 12--NC

311 ONCW12431A 18X

CA	OPERATION	AI
1	P-CON 9.6V	1
2	POWER	2
3	CAMERA/VCR	3
4	EDIT	4
5	GND	5
6	NC	6
7	GND	7
8	VIDEO OUT	8
9	AUDIO OUT	9
10	KEY-2	10
11	KEY-1	11
12	SP/EP	12
13	EJECT	13
14	POWER LED	14
15		15
16		16

310 ONCW12431A 18X

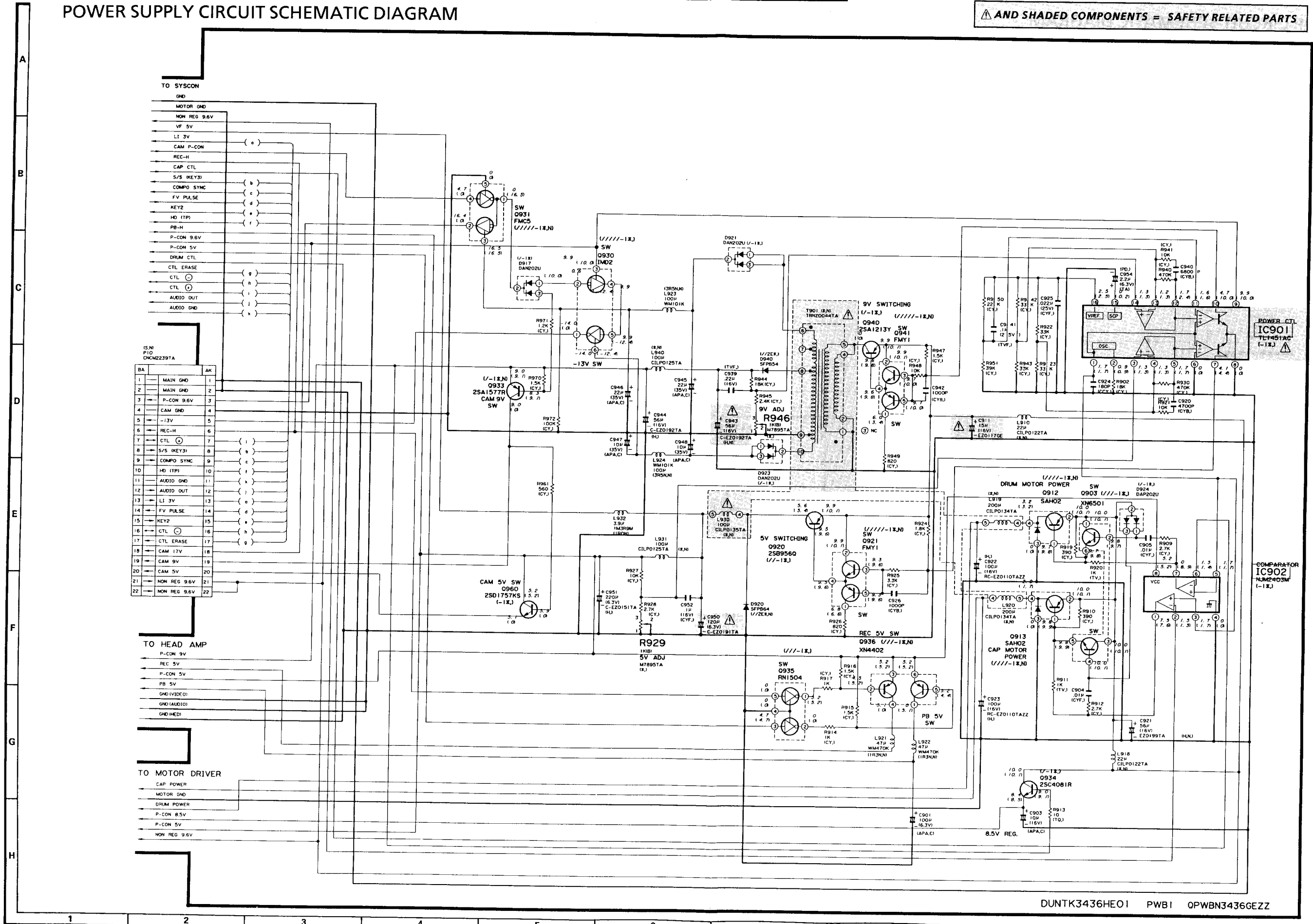
SW-1	(34)
SW-2	(35)
SW-3	(36)
SW-4	(37)
H-SW-P	(38)
H-SW-SW	(39)
V-REC	(40)
ROT ERASE	(41)
DOC	(42)

VALUES IN () ARE FOR THE PLAYBACK MODE

Values in () are for the playback mode

POWER SUPPLY CIRCUIT SCHEMATIC DIAGRAM

▲ AND SHADED COMPONENTS = SAFETY RELATED PARTS



BA	AK	
1	1	MAIN GND
2	2	MAIN GND
3	3	P-CON 9.6V
4	4	CAM GND
5	5	-13V
6	6	REC-H
7	7	CTL
8	8	S/S KEY3
9	9	COMPO SYNC
10	10	HD 17P
11	11	AUDIO GND
12	12	AUDIO OUT
13	13	LI 3V
14	14	FV PULSE
15	15	KEY2
16	16	CTL
17	17	CTL ERASE
18	18	CAM 17V
19	19	CAM 9V
20	20	CAM 5V
21	21	NON REG 9.6V
22	22	NON REG 9.6V

DUNTK3436HE01 PWBI OPWBN3436GEZZ

Values in () are for the playback mode

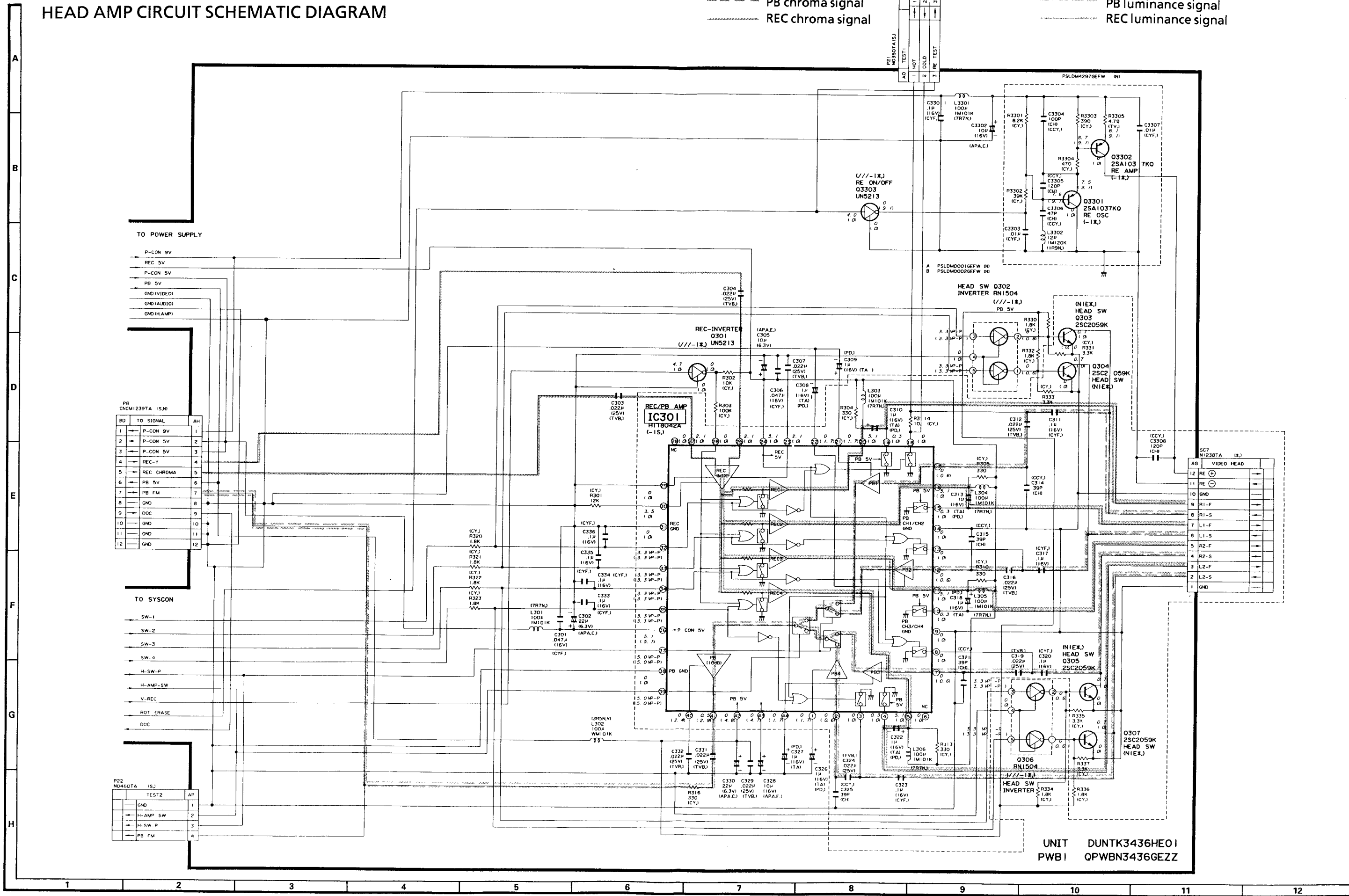
VL-C790S/H/X
VL-C7450E

VL-C790S/H/X
VL-C7450E

HEAD AMP CIRCUIT SCHEMATIC DIAGRAM

--- PB chroma signal
--- REC chroma signal

--- PB luminance signal
--- REC luminance signal



PB CNDM1239TA (5N)

BD	TO SIGNAL	AH
1	P-CON 9V	1
2	P-CON 5V	2
3	P-CON 5V	3
4	REC-Y	4
5	REC CHROMA	5
6	PB 5V	6
7	PB FM	7
8	GND	8
9	DOC	9
10	GND	10
11	GND	11
12	GND	12

TO SYSCON

SW-1
SW-2
SW-3
SW-4
H-SW-P
H-AMP-SW
V-REC
ROT. ERASE
DOC

P22 ND460TA (5)

TEST2	AP
GND	1
H-AMP SW	2
H-SW-P	3
PB FM	4

UNIT DUNTK3436E01
PWB1 QPWBN3436GEZ

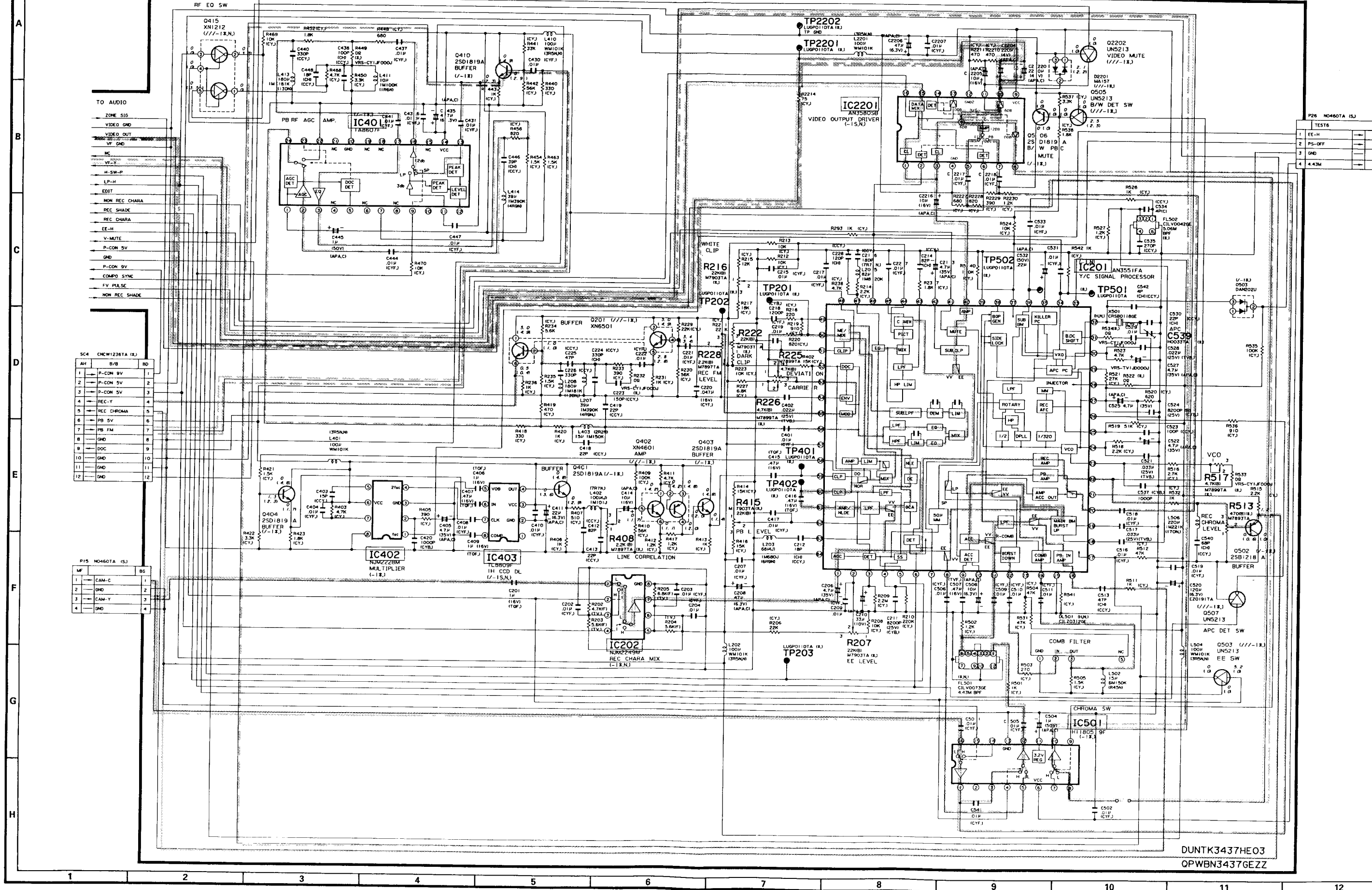
Values in () are for the playback mode

Y/C CIRCUIT SCHEMATIC DIAGRAM

REC chroma signal
REC luminance signal

EE chroma signal
EE luminance signal

PB chroma signal
PB luminance signal



TO AUDIO

ZONE SIG	
VIDEO OUT	
VF GND	
NC	
VP-T	
H-SW-P	
LP-H	
EDIT	
NON REC CHA	
REC SHADE	
REC CHA	
EE-H	
V-MUTE	
P-CON SV	
GND	
P-CON SV	
COMPO SYNC	
FV PULSE	
NON REC SHADE	

SC4 CXC1236TA (R)

AH	B/B	BD
1	P-CON 5V	1
2	P-CON 5V	2
3	P-CON 5V	3
4	REC-Y	4
5	REC-CHROMA	5
6	PB 5V	6
7	PB FM	7
8	GND	8
9	DOC	9
10	GND	10
11	GND	11
12	GND	12

P15 NO460TA (S)

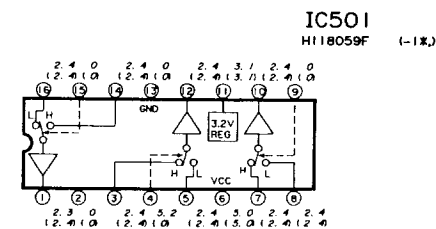
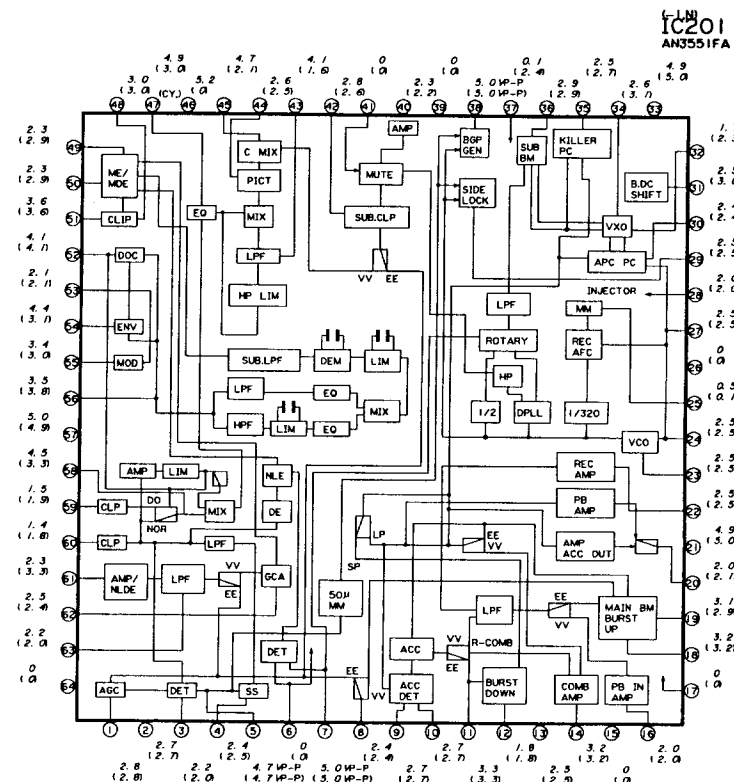
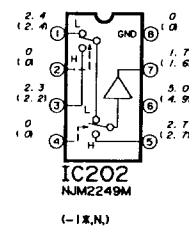
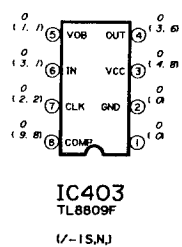
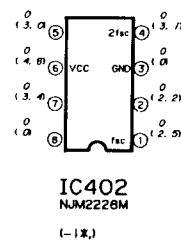
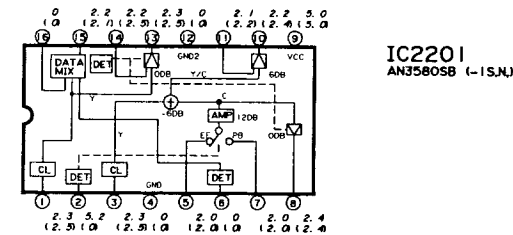
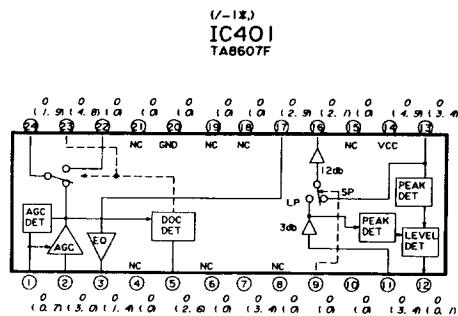
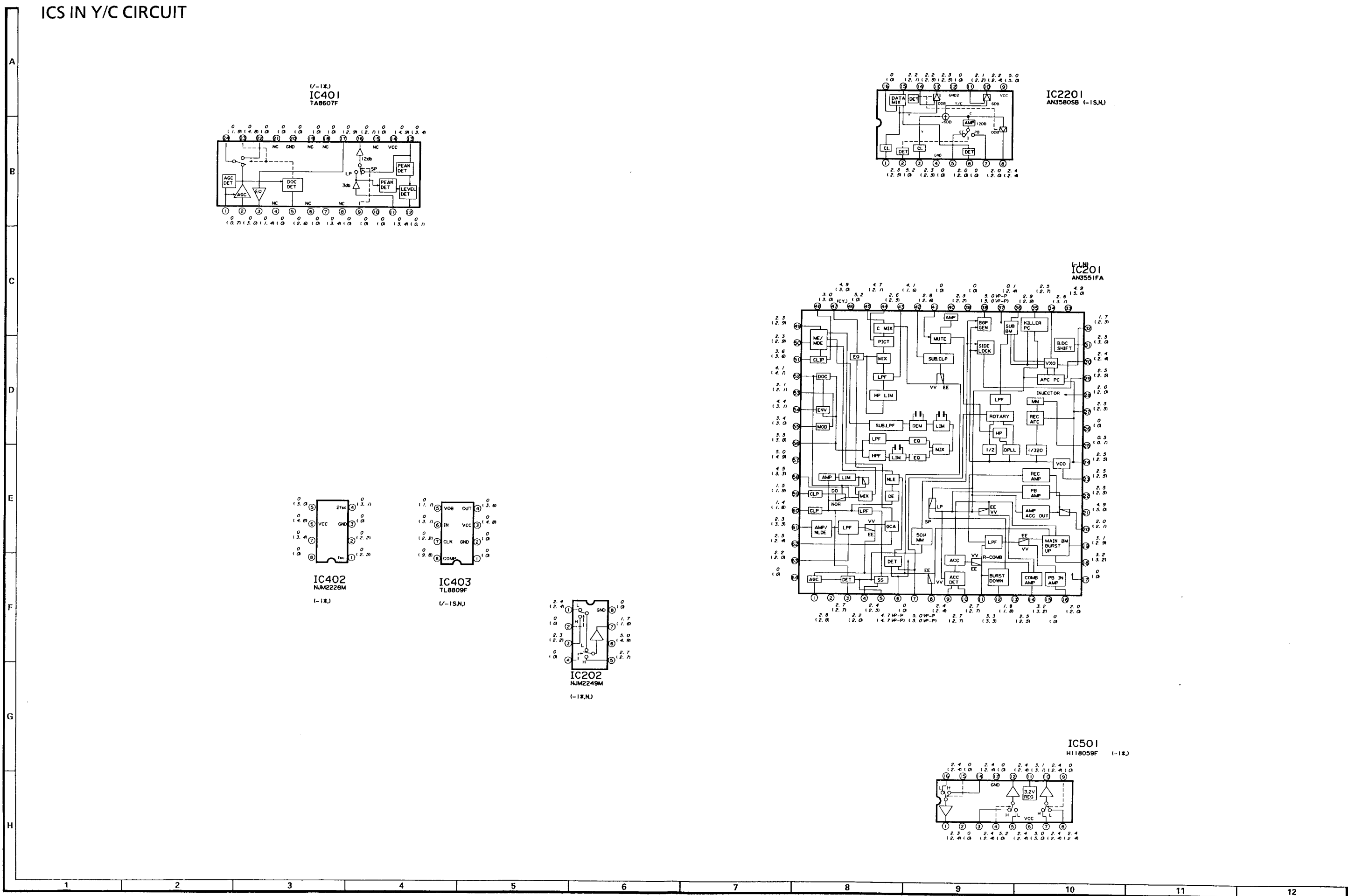
MF	BG
1	CAM-C
2	GND
3	CAM-Y
4	GND

P26 NO460TA (S)

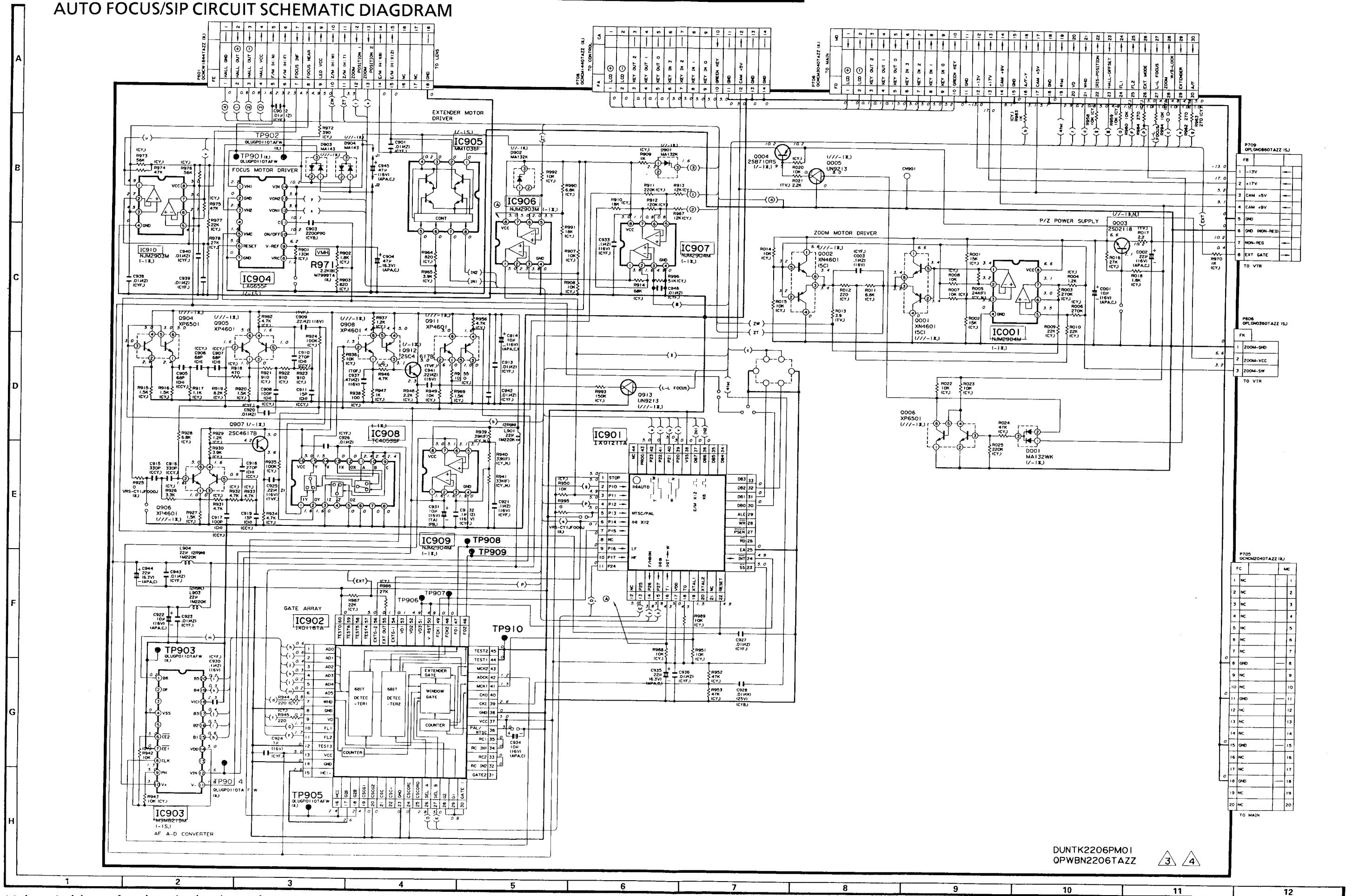
TEST6
1 EE-H
2 PS-OFF
3 GND
4 4.43M

DUNT3437HE03
QPWBN3437GEZZ

ICS IN Y/C CIRCUIT



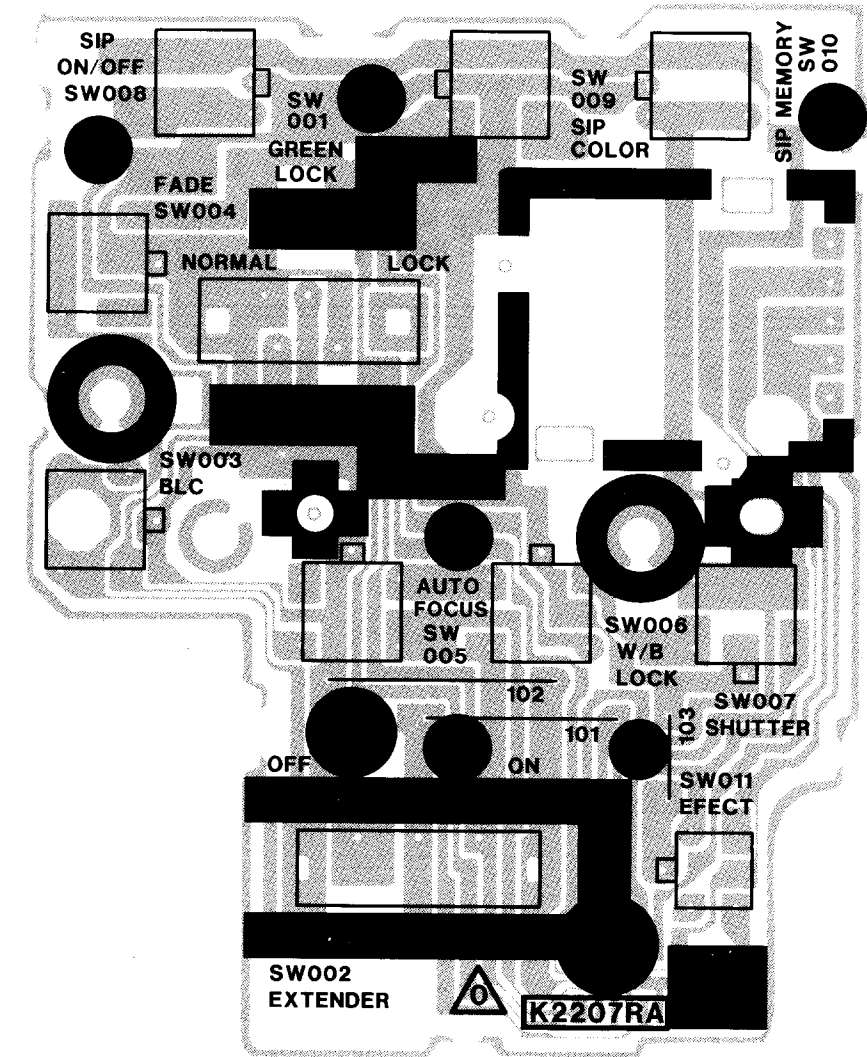
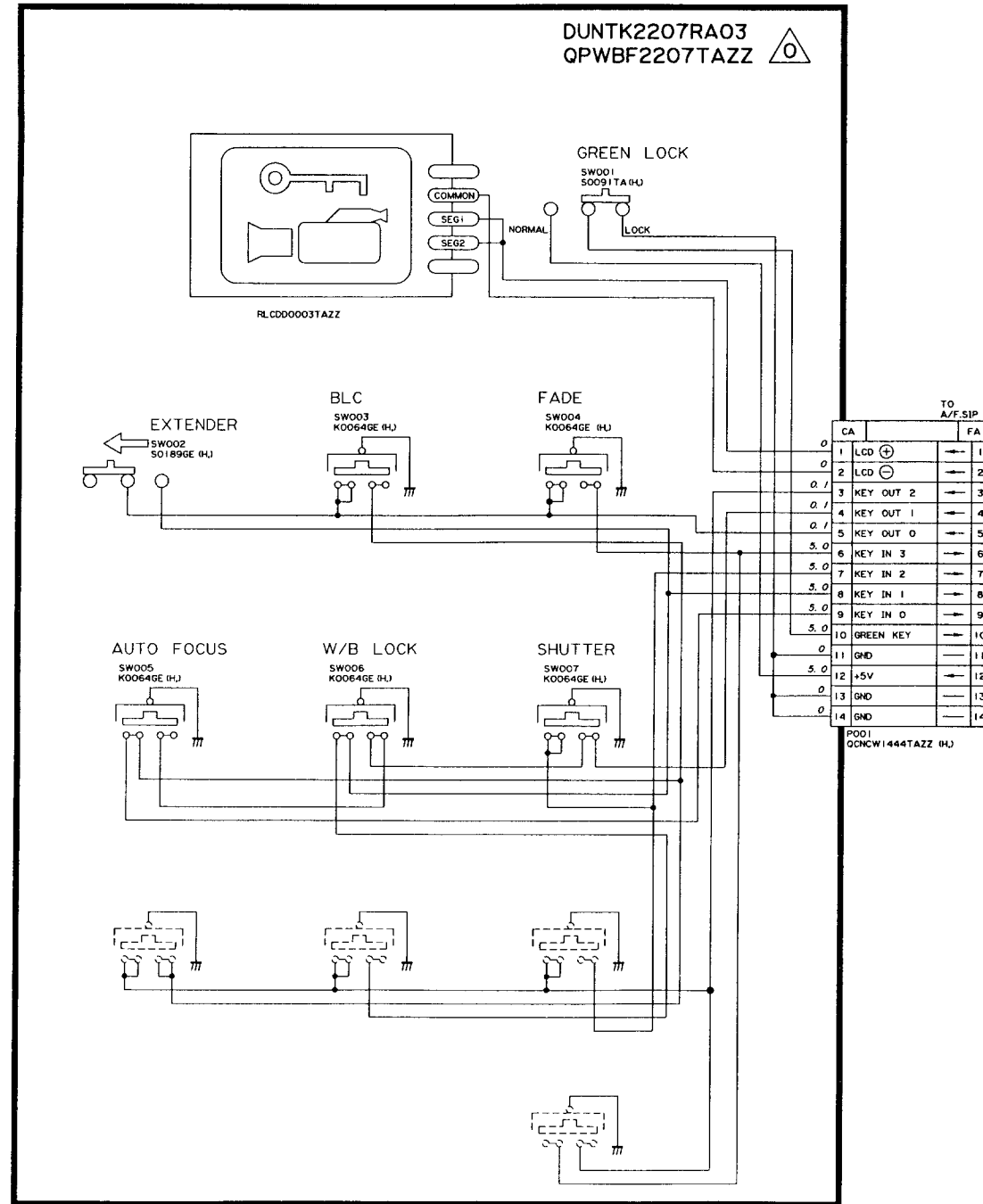
AUTO FOCUS/SIP CIRCUIT SCHEMATIC DIAGRAM



Values in () are for the playback mode

OPERATION CIRCUIT SCHEMATIC DIAGRAM/PWB DIAGRAM

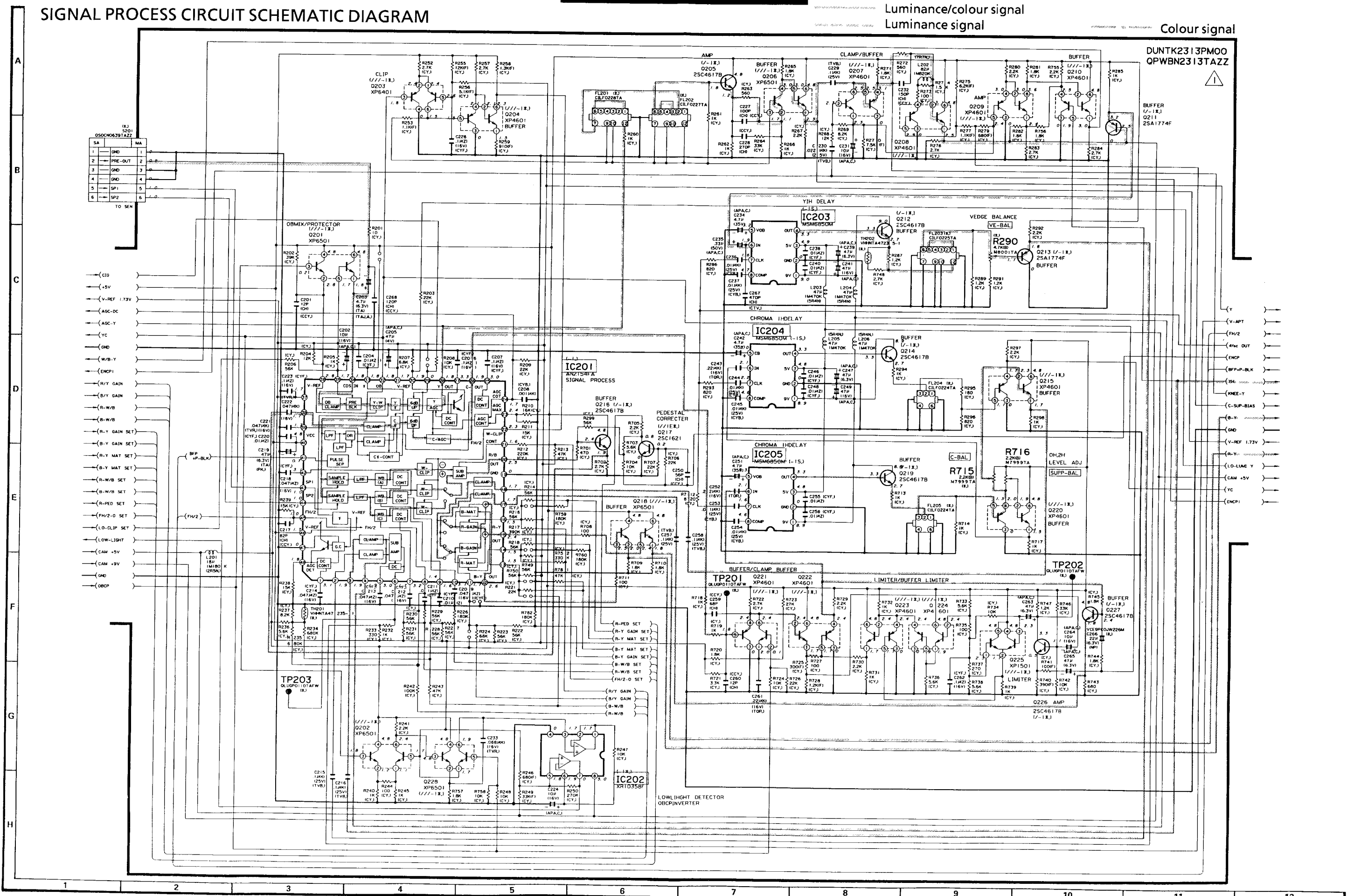
A
B
C
D
E
F
G
H



SIGNAL PROCESS CIRCUIT SCHEMATIC DIAGRAM

Luminance/colour signal
Luminance signal

Colour signal

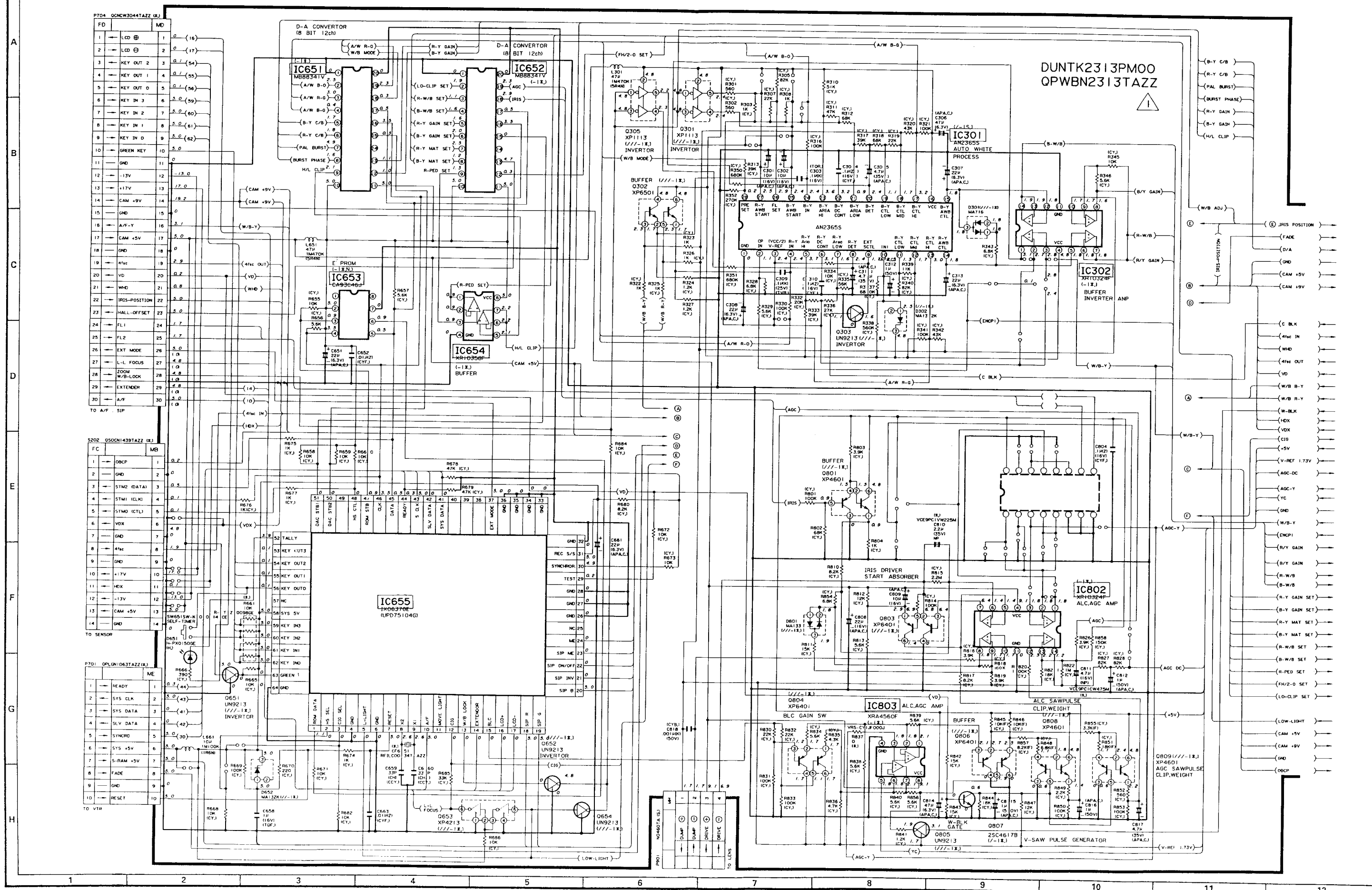


SA	MA
1	2
2	3
3	4
4	5
5	6
6	7

TO SEN

Values in () are for the playback mode

MPU CIRCUIT SCHEMATIC DIAGRAM



Values in () are for the playback mode